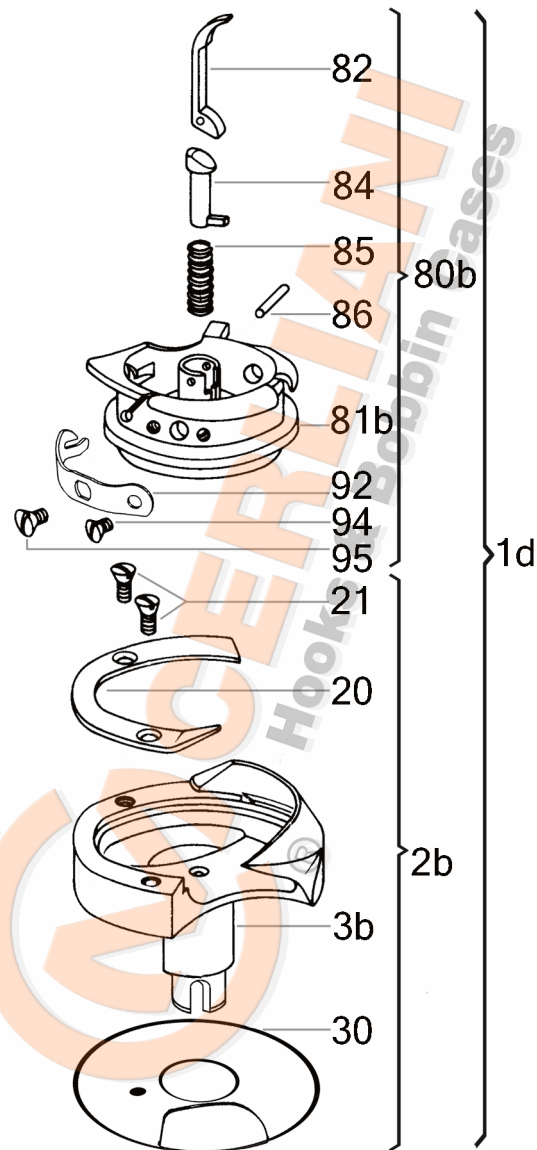


EXPLODED VIEW

KL 130.13.115



Attention: The graphic representation shows only the typology of the components of the article and does not correspond to the real part.

No	CERLIANI ARTICLE	DESCRIPTION
1d	130.13.115	HOOK COMPLETE
2b	130.13.116	HOOK WITHOUT BASKET
20	130.13.118	HOOK GIB
21	130.11.004	HOOK GIB FASTENING SCREW
30	130.13.106	NEEDLE GUARD
60a	130.08.024	LUBRICATION FELT (UNDER GIB)
80b	130.13.119	COMPLETE BASKET
82	130.11.012	LEVER
84	130.11.011	BOBBIN EJECTOR
85	130.11.014	SPIRAL SPRING OF LEVER
86	130.08.012	LEVER'S PIN
92	130.11.027	TENSION SPRING
94	130.06.010	TENSION SPRING FAST. SCREW
95	130.08.206	TENSION SPRING ADJ. SCREW

This document and the information enclosed are intellectual property of CM CERLIANI and may not be rebroadcast in any form without express permission from CM CERLIANI. If you want to use any of these information for any use other than personal use, please contact CM CERLIANI to get the permission.