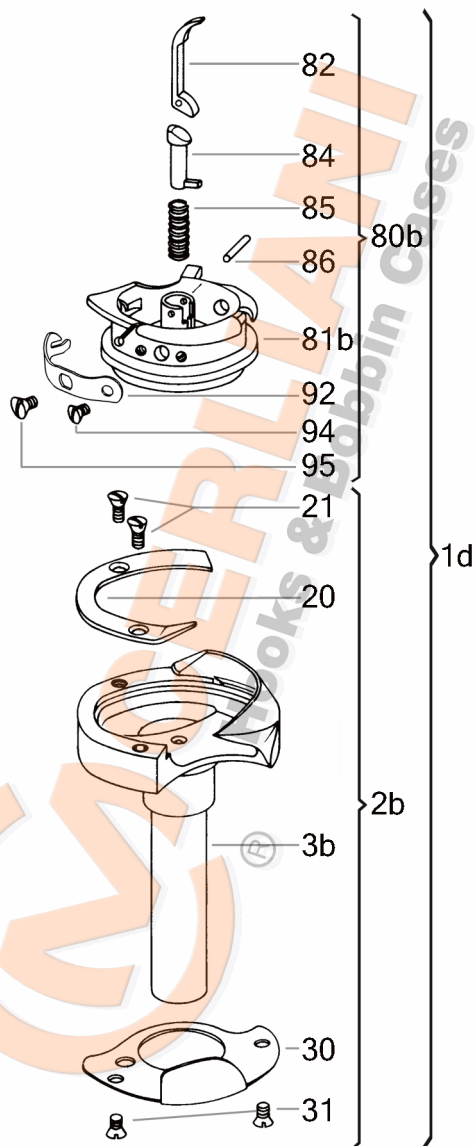


EXPLODED VIEW

KL 130.11.084

Attention: The graphic representation shows only the typology of the components of the article and does not correspond to the real part.



| No | CERLIANI ARTICLE | DESCRIPTION |
|-----|------------------|--------------------------------|
| 1d | 130.11.084 | HOOK COMPLETE |
| 2b | 130.11.085 | HOOK WITHOUT BASKET |
| 20 | 130.11.019 | HOOK GIB |
| 21 | 130.11.004 | HOOK GIB FASTENING SCREW |
| 30 | 130.11.081 | NEEDLE GUARD |
| 31 | 130.11.049 | NEEDLE GUARD FASTENING SCREW |
| 60b | 130.05.101 | LUBRICATION FELT IN OIL CHANN. |
| 60b | 130.11.094 | LUBRICATION FELT IN OIL CHANN. |
| 70 | 130.05.104 | LUBRIFICATION PLUG PIN |
| 80b | 130.11.025 | COMPLETE BASKET |
| 81b | 130.11.026 | BASKET BODY |
| 82 | 130.11.012 | LEVER |
| 84 | 130.11.011 | BOBBIN EJECTOR |
| 85 | 130.11.014 | SPIRAL SPRING OF LEVER |
| 86 | 130.08.012 | LEVER'S PIN |
| 92 | 130.11.027 | TENSION SPRING |
| 94 | 130.11.020 | TENSION SPRING FAST. SCREW |
| 95 | 130.11.037 | TENSION SPRING ADJ. SCREW |
| 152 | 130.11.235 | SCREW |

This document and the information enclosed are intellectual property of CM CERLIANI and may not be rebroadcast in any form without express permission from CM CERLIANI. If you want to use any of these information for any use other than personal use, please contact CM CERLIANI to get the permission.