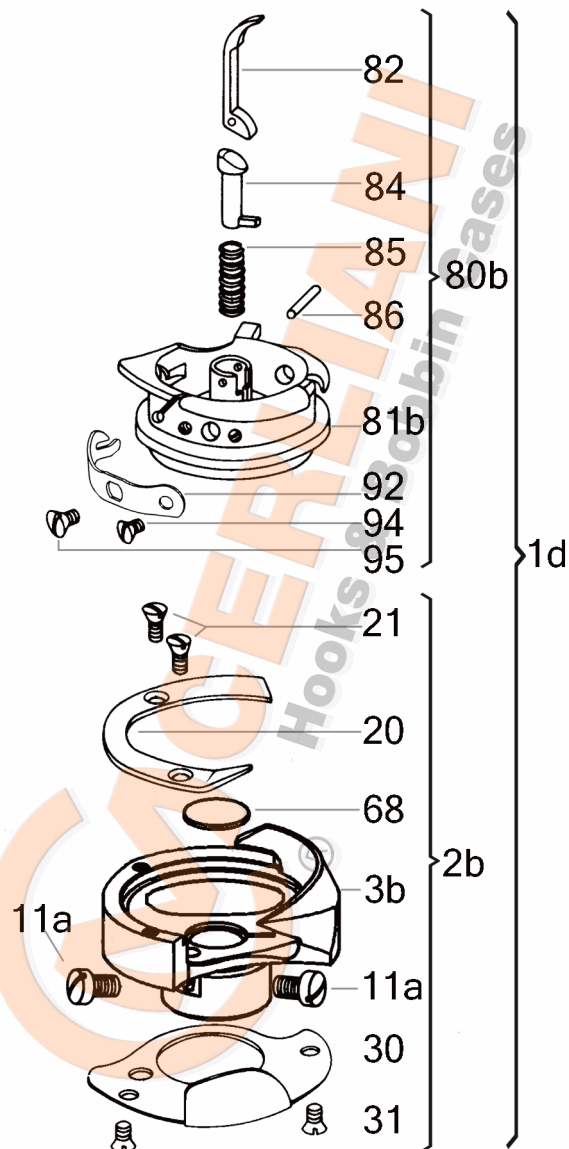


EXPLODED VIEW

KL 130.11.068



Attention: The graphic representation shows only the typology of the components of the article and does not correspond to the real part.

No	CERLIANI ARTICLE	DESCRIPTION
1d	130.11.068	HOOK COMPLETE
2b	130.11.069	HOOK WITHOUT BASKET
11a	130.11.072	HOOK FASTENING SCREW
20	130.11.003	HOOK GIB
21	130.11.004	HOOK GIB FASTENING SCREW
30	130.11.071	NEEDLE GUARD
31	130.11.049	NEEDLE GUARD FASTENING SCREW
66	130.11.074	LUBRIFICATION PLATE PIN
68	130.11.073	CENTRAL HOLE PLUG DISC
70	130.05.104	LUBRIFICATION PLUG PIN
80b	130.11.025	COMPLETE BASKET
81b	130.11.026	BASKET BODY
82	130.11.012	LEVER
84	130.11.011	BOBBIN EJECTOR
85	130.11.014	SPIRAL SPRING OF LEVER
86	130.08.012	LEVER'S PIN
92	130.11.027	TENSION SPRING
94	130.11.020	TENSION SPRING FAST. SCREW
95	130.11.037	TENSION SPRING ADJ. SCREW

This document and the information enclosed are intellectual property of CM CERLIANI and may not be rebroadcast in any form without express permission from CM CERLIANI. If you want to use any of these information for any use other than personal use, please contact CM CERLIANI to get the permission.