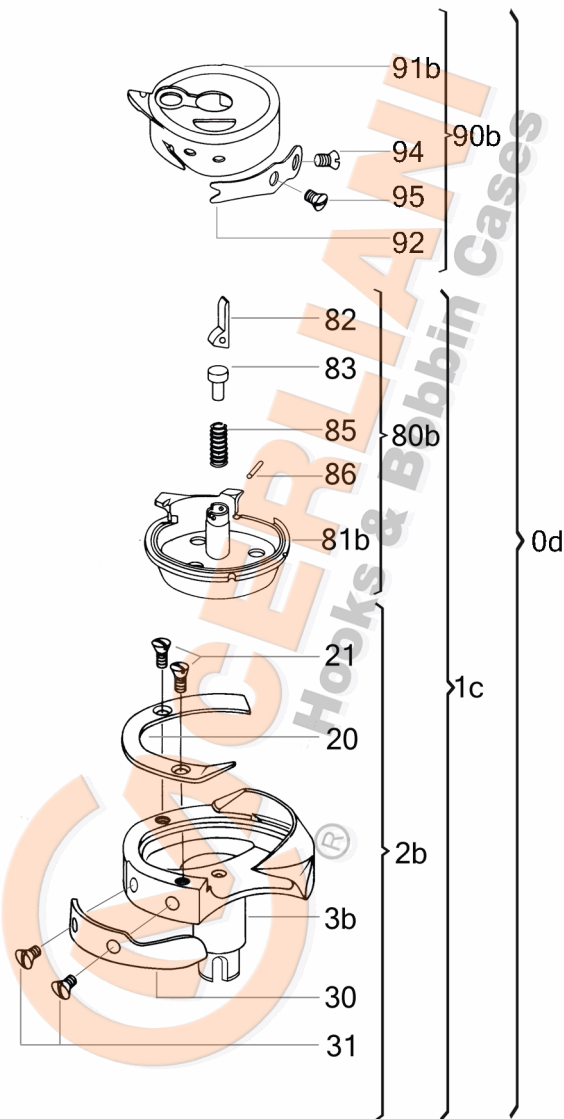


EXPLODED VIEW

KK 130.13.173DC20



Attention: The graphic representation shows only the typology of the components of the article and does not correspond to the real part.

No	CERLIANI ARTICLE	DESCRIPTION
0d	130.13.173DC20	HOOK WITH CAP
1c	130.13.174DC20	HOOK WITHOUT CAP
2b	130.13.124	HOOK WITHOUT BASKET
20	130.13.125	HOOK GIB
21	130.11.004	HOOK GIB FASTENING SCREW
30	130.13.106	NEEDLE GUARD
60a	130.08.024	LUBRICATION FELT (UNDER GIB)
80b	130.13.175DC10	COMPLETE BASKET
81b	130.13.137DC10	BASKET BODY
82	130.13.040	LEVER
83	130.08.011	PISTON
85	130.08.013	SPIRAL SPRING OF LEVER
86	130.08.012	LEVER'S PIN
90b	130.13.180	CAP
92	130.13.182	TENSION SPRING
94	130.11.020	TENSION SPRING FAST. SCREW
95	130.08.018	TENSION SPRING ADJ. SCREW
107	130.13.184	THREAD WITHDRAWING SPRING
108	130.13.183	FAST SCREW FOR WITHDR. SPRING
150	130.13.081	SPIRAL SPRING

This document and the information enclosed are intellectual property of CM CERLIANI and may not be rebroadcast in any form without express permission from CM CERLIANI. If you want to use any of these information for any use other than personal use, please contact CM CERLIANI to get the permission.