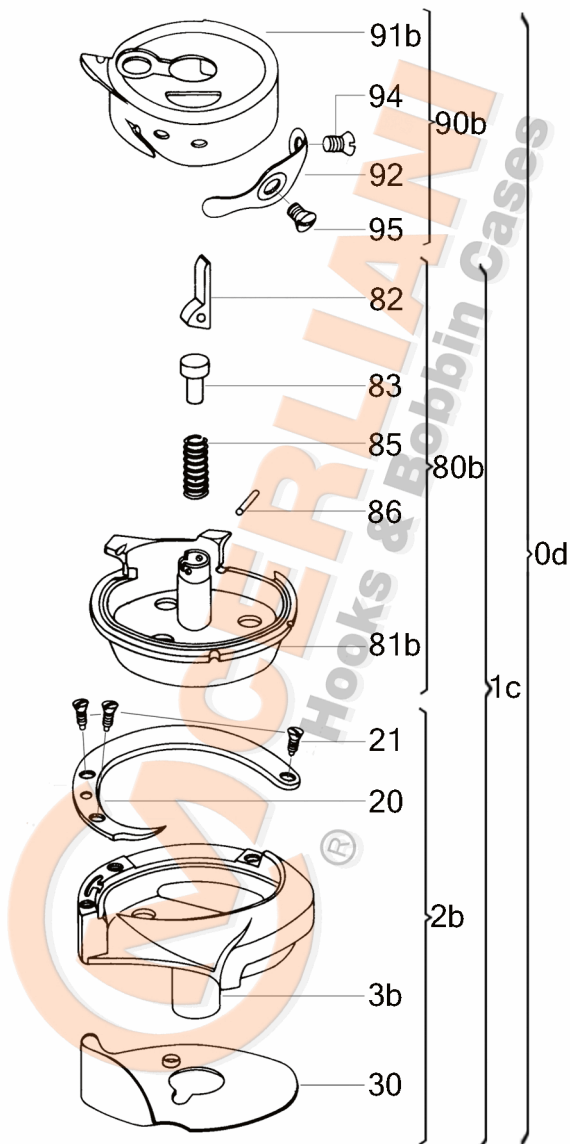


**EXPLODED VIEW**

**KK 130.08.976**

Attention: The graphic representation shows only the typology of the components of the article and does not correspond to the real part.



No	CERLIANI ARTICLE	DESCRIPTION
0d	130.08.976	HOOK WITH CAP
1c	130.08.977	HOOK WITHOUT CAP
2b	130.08.978	HOOK WITHOUT BASKET
20	130.08.980	HOOK GIB
21	130.08.205	HOOK GIB FASTENING SCREW
30	130.08.006	NEEDLE GUARD
60a	130.08.985	LUBRICATION FELT (UNDER GIB)
80b	130.08.981	COMPLETE BASKET
82	130.08.010	LEVER
83	130.08.011	PISTON
85	130.08.013	SPIRAL SPRING OF LEVER
86	130.08.012	LEVER'S PIN
90b	130.08.983	CAP
92	130.08.016	TENSION SPRING
94	130.13.063	TENSION SPRING FAST. SCREW
95	130.13.073	TENSION SPRING ADJ. SCREW

This document and the information enclosed are intellectual property of CM CERLIANI and may not be rebroadcast in any form without express permission from CM CERLIANI. If you want to use any of these information for any use other than personal use, please contact CM CERLIANI to get the permission.