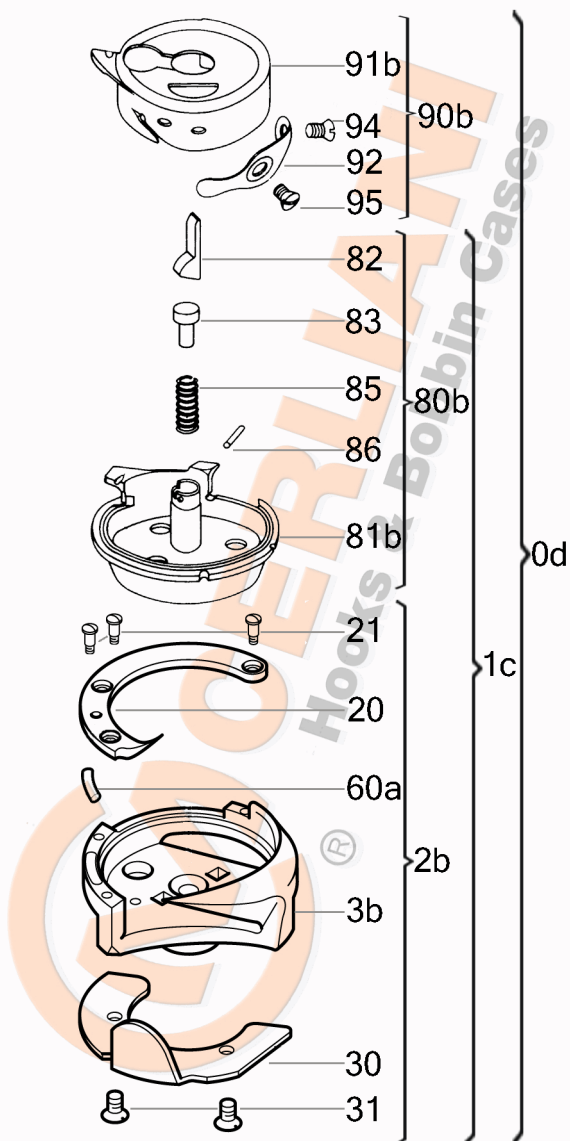


EXPLODED VIEW

KK 130.08.524

Attention: The graphic representation shows only the typology of the components of the article and does not correspond to the real part.



| No | CERLIANI ARTICLE | DESCRIPTION |
|-----|------------------|------------------------------|
| 0d | 130.08.524 | HOOK WITH CAP |
| 1c | 130.08.525 | HOOK WITHOUT CAP |
| 2b | 130.08.453 | HOOK WITHOUT BASKET |
| 20 | 130.08.455 | HOOK GIB |
| 21 | 130.08.005 | HOOK GIB FASTENING SCREW |
| 26 | 130.08.355 | THREAD GUARD FASTENING SCREW |
| 30 | 130.08.323 | NEEDLE GUARD |
| 60a | 130.08.024 | LUBRICATION FELT (UNDER GIB) |
| 80b | 130.08.520 | COMPLETE BASKET |
| 82 | 130.08.010 | LEVER |
| 83 | 130.08.011 | PISTON |
| 86 | 130.08.012 | LEVER'S PIN |
| 90b | 130.08.522 | CAP |
| 92 | 130.08.016 | TENSION SPRING |
| 94 | 130.06.104 | TENSION SPRING FAST. SCREW |
| 95 | 130.08.018 | TENSION SPRING ADJ. SCREW |
| 98 | 130.08.013 | SPIRAL SPRING OF LATCH |
| 110 | 130.08.596 | THREAD GUIDE |

This document and the information enclosed are intellectual property of CM CERLIANI and may not be rebroadcast in any form without express permission from CM CERLIANI. If you want to use any of these information for any use other than personal use, please contact CM CERLIANI to get the permission.