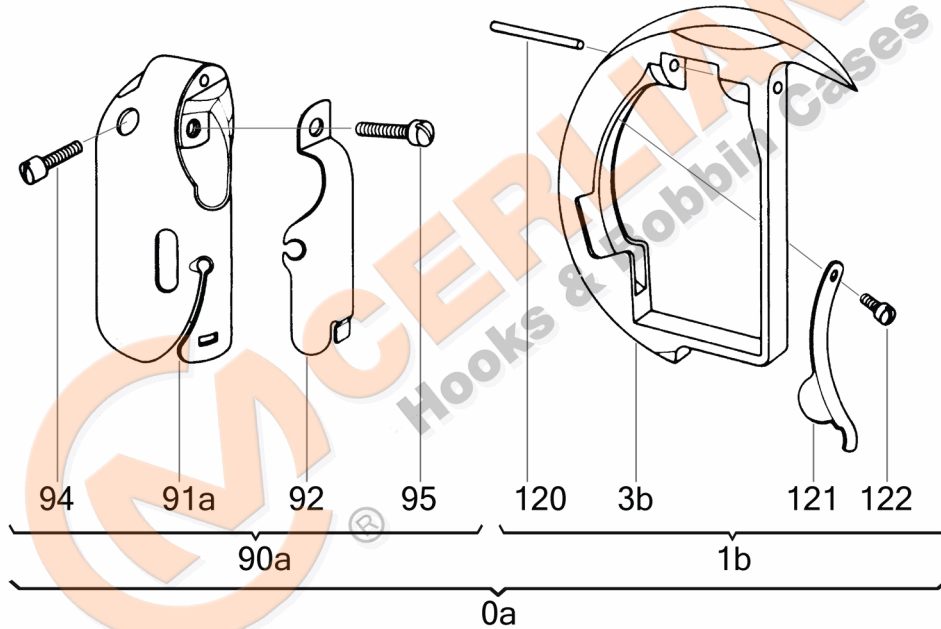


EXPLODED VIEW

KK 112.00.031



Attention: The graphic representation shows only the typology of the components of the article and does not correspond to the real part.

No	CERLIANI ARTICLE	DESCRIPTION
0a	112.00.031	HOOK COMPLETE
1b	112.00.032	HOOK WITHOUT BOBBIN CASE
3b	112.00.033	HOOK BODY
90a	112.00.016	BOBBIN CASE
91a	112.00.017	BOBBIN CASE BODY
92	112.00.008	TENSION SPRING
94	112.00.019	TENSION SPRING FAST. SCREW
95	112.00.018	TENSION SPRING ADJ. SCREW
120	112.00.005	TAPER PIN
121	112.00.003	BOBBIN CASE LOCKING SPRING
122	112.00.004	BOB.LOCKING SPRING FAST. SCREW

This document and the information enclosed are intellectual property of CM CERLIANI and may not be rebroadcast in any form without express permission from CM CERLIANI. If you want to use any of these information for any use other than personal use, please contact CM CERLIANI to get the permission.