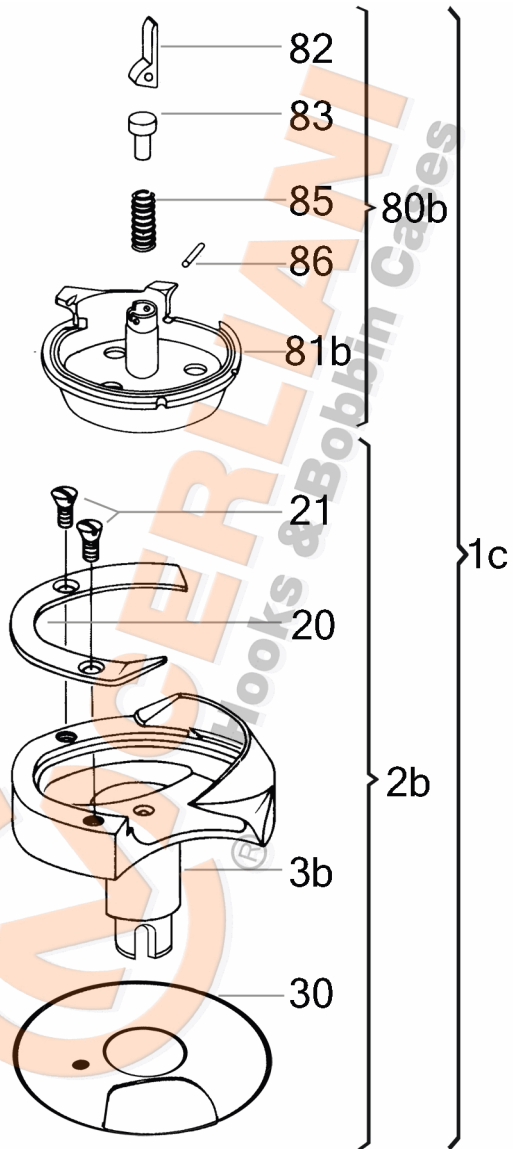


**EXPLODED VIEW**

**KH 130.16.063**



Attention: The graphic representation shows only the typology of the components of the article and does not correspond to the real part.

No	CERLIANI ARTICLE	DESCRIPTION
1c	130.16.063	HOOK WITHOUT CAP
2b	130.11.229	HOOK WITHOUT BASKET
20	130.11.019	HOOK GIB
21	130.11.004	HOOK GIB FASTENING SCREW
30	130.13.106	NEEDLE GUARD
80b	130.16.022	COMPLETE BASKET
81b	130.16.023	BASKET BODY
82	130.16.024	LEVER
83	130.08.011	PISTON
85	130.08.013	SPIRAL SPRING OF LEVER
86	130.08.012	LEVER'S PIN

This document and the information enclosed are intellectual property of CM CERLIANI and may not be rebroadcast in any form without express permission from CM CERLIANI. If you want to use any of these information for any use other than personal use, please contact CM CERLIANI to get the permission.