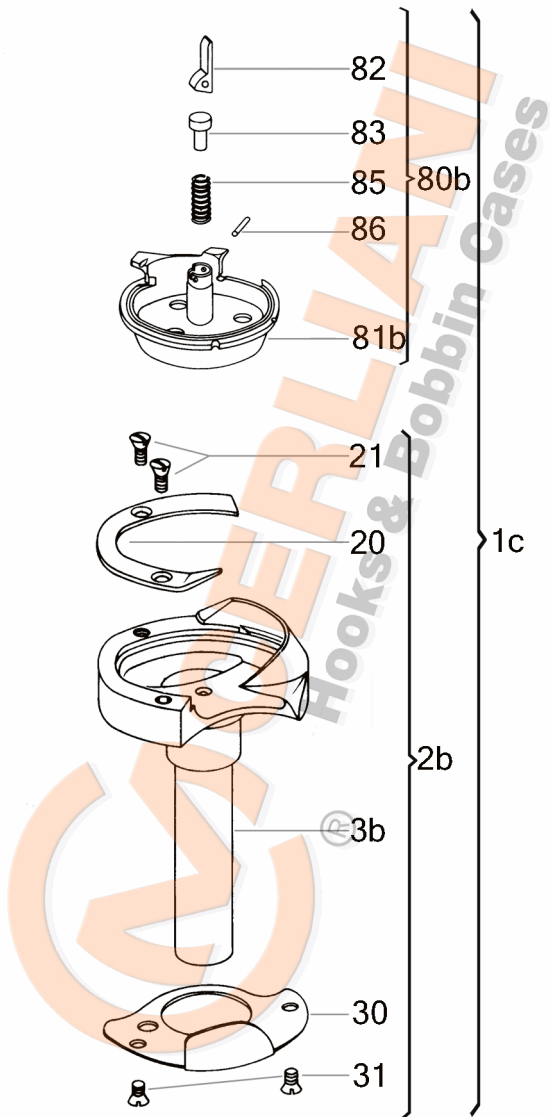


**EXPLODED VIEW**

**KH 130.16.062**

Attention: The graphic representation shows only the typology of the components of the article and does not correspond to the real part.



No	CERLIANI ARTICLE	DESCRIPTION
1c	130.16.062	HOOK WITHOUT CAP
2b	130.11.228	HOOK WITHOUT BASKET
20	130.11.119	HOOK GIB
21	130.11.004	HOOK GIB FASTENING SCREW
30	130.11.081	NEEDLE GUARD
31	130.11.049	NEEDLE GUARD FASTENING SCREW
60b	130.05.101	LUBRICATION FELT IN OIL CHANN.
60b	130.11.094	LUBRICATION FELT IN OIL CHANN.
70	130.05.104	LUBRIFICATION PLUG PIN
80b	130.16.003	COMPLETE BASKET
81b	130.16.004	BASKET BODY
82	130.08.010	LEVER
83	130.08.011	PISTON
85	130.08.013	SPIRAL SPRING OF LEVER
86	130.08.012	LEVER'S PIN
152	130.11.235	SCREW

This document and the information enclosed are intellectual property of CM CERLIANI and may not be rebroadcast in any form without express permission from CM CERLIANI. If you want to use any of these information for any use other than personal use, please contact CM CERLIANI to get the permission.