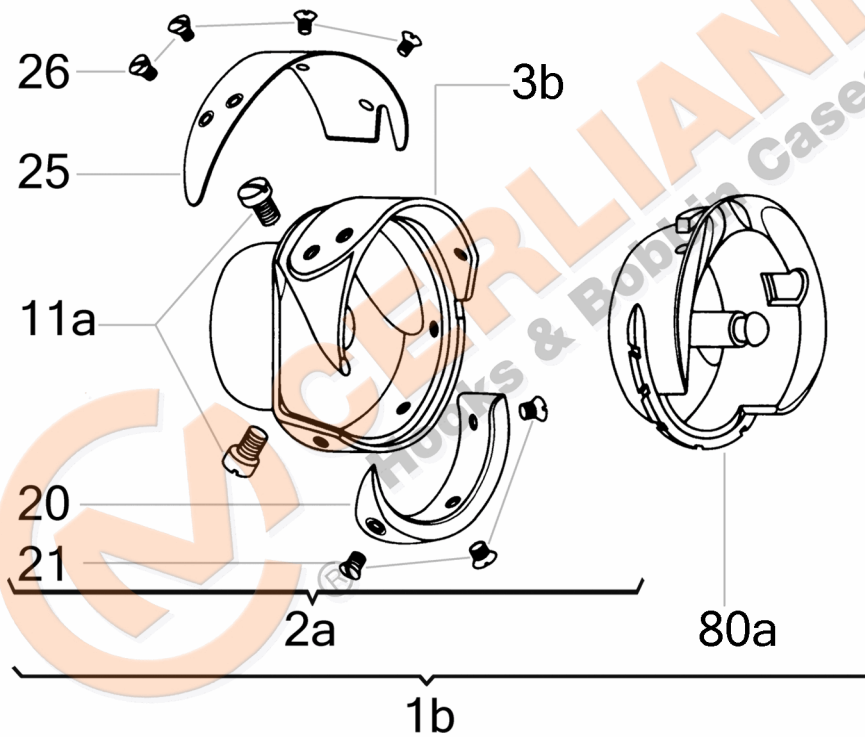


EXPLODED VIEW

KH 130.09.506



Attention: The graphic representation shows only the typology of the components of the article and does not correspond to the real part.

No	CERLIANI ARTICLE	DESCRIPTION
1b	130.09.506	HOOK WITHOUT BOBBIN CASE
2a	130.09.507	HOOK WITHOUT BOBBINCASE HOLDER
3b	130.09.502	HOOK BODY
11a	130.01.138	HOOK FASTENING SCREW
20	130.09.508	HOOK GIB
21	130.09.017	HOOK GIB FASTENING SCREW
25	130.09.510	THREAD GUARD
26	130.01.005	THREAD GUARD FASTENING SCREW
68	130.05.123	CENTRAL HOLE PLUG DISC
70	130.05.104	LUBRIFICATION PLUG PIN
80a	130.09.509	BOBBIN CASE HOLDER

This document and the information enclosed are intellectual property of CM CERLIANI and may not be rebroadcast in any form without express permission from CM CERLIANI. If you want to use any of these information for any use other than personal use, please contact CM CERLIANI to get the permission.