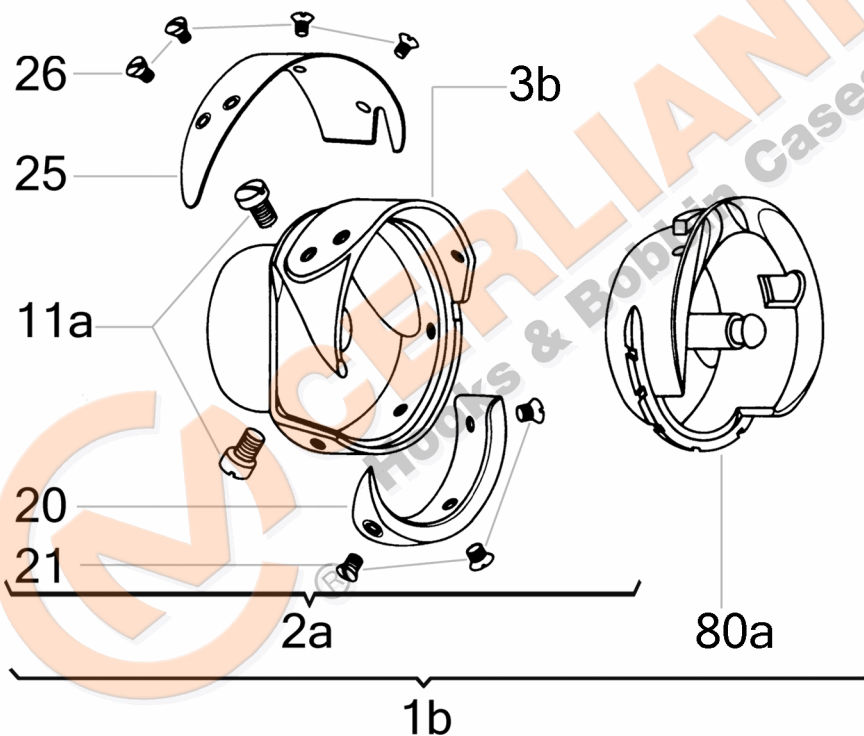


EXPLODED VIEW

KH 130.09.168DC20



Attention: The graphic representation shows only the typology of the components of the article and does not correspond to the real part.

No	CERLIANI ARTICLE	DESCRIPTION
1b	130.09.168DC20	HOOK WITHOUT BOBBIN CASE
2a	130.09.169	HOOK WITHOUT BOBBINCASE HOLDER
3b	130.09.170	HOOK BODY
11a	120.00.029	HOOK FASTENING SCREW
20	130.09.171	HOOK GIB
21	130.09.017	HOOK GIB FASTENING SCREW
25	130.09.172	THREAD GUARD
26	130.01.005	THREAD GUARD FASTENING SCREW
60b	130.05.101	LUBRICATION FELT IN OIL CHANN.
69	130.05.103	LUBRIFICATION PLUG DISC
70	130.09.254	LUBRIFICATION PLUG PIN
80a	130.09.173DC10	BOBBIN CASE HOLDER

This document and the information enclosed are intellectual property of CM CERLIANI and may not be rebroadcast in any form without express permission from CM CERLIANI. If you want to use any of these information for any use other than personal use, please contact CM CERLIANI to get the permission.