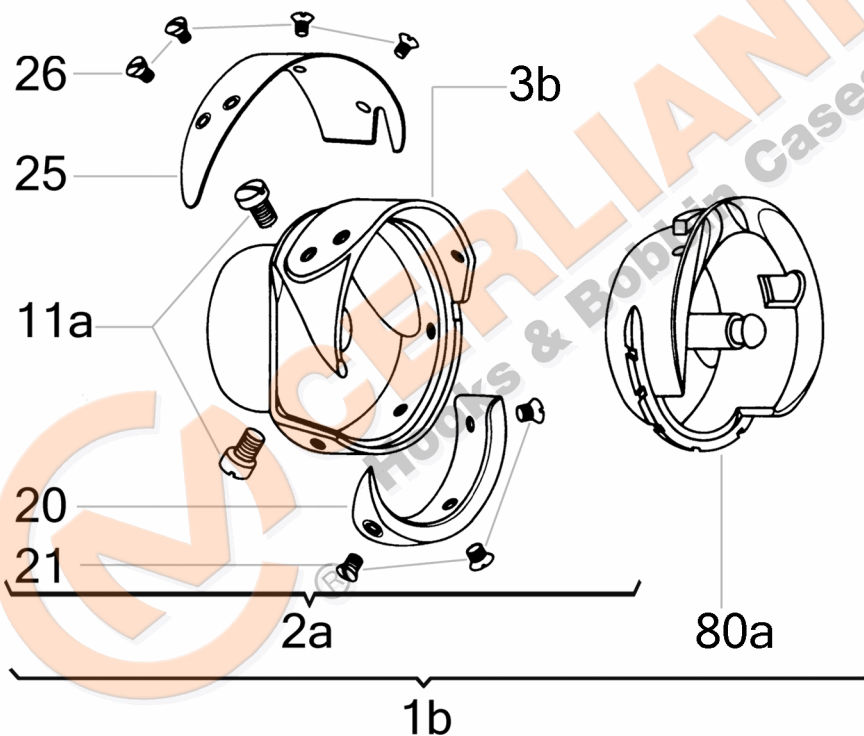


**EXPLODED VIEW**

**KH 130.09.084**



Attention: The graphic representation shows only the typology of the components of the article and does not correspond to the real part.

No	CERLIANI ARTICLE	DESCRIPTION
1b	130.09.084	HOOK WITHOUT BOBBIN CASE
2a	130.09.085	HOOK WITHOUT BOBBINCASE HOLDER
3b	130.09.086	HOOK BODY
11a	120.00.029	HOOK FASTENING SCREW
20	130.09.008	HOOK GIB
21	130.09.017	HOOK GIB FASTENING SCREW
25	130.09.106	THREAD GUARD
25	130.09.106	THREAD GUARD
26	130.01.005	THREAD GUARD FASTENING SCREW
60b	130.05.101	LUBRICATION FELT IN OIL CHANN.
68	130.05.123	CENTRAL HOLE PLUG DISC
69	130.05.103	LUBRIFICATION PLUG DISC
70	130.05.104	LUBRIFICATION PLUG PIN
80a	130.09.087	BOBBIN CASE HOLDER

This document and the information enclosed are intellectual property of CM CERLIANI and may not be rebroadcast in any form without express permission from CM CERLIANI. If you want to use any of these information for any use other than personal use, please contact CM CERLIANI to get the permission.