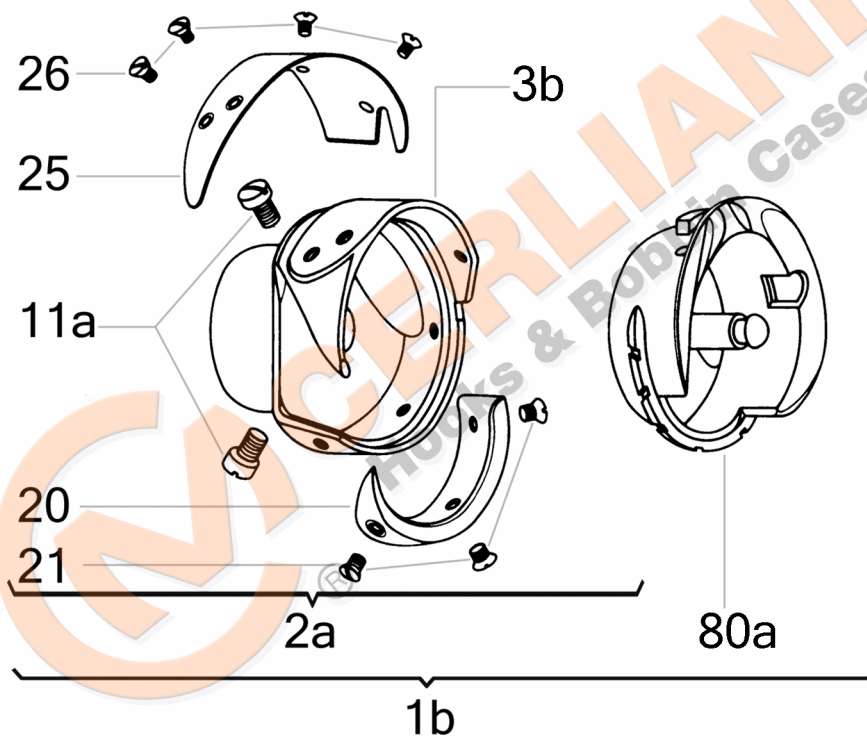


EXPLODED VIEW

KH 130.05.247



Attention: The graphic representation shows only the typology of the components of the article and does not correspond to the real part.

No	CERLIANI ARTICLE	DESCRIPTION
1b	130.05.247	HOOK WITHOUT BOBBIN CASE
2a	130.05.447	HOOK WITHOUT BOBBINCASE HOLDER
3b	130.05.226	HOOK BODY
11b	130.05.335	HOOK FASTENING GRUB SCREW
20	130.05.306	HOOK GIB
21	130.05.227	HOOK GIB FASTENING SCREW
25	130.05.240	THREAD GUARD
26	130.05.228	THREAD GUARD FASTENING SCREW
60b	130.05.101	LUBRICATION FELT IN OIL CHANN.
65	130.05.105	LUBRICATION PLATE
66	130.05.106	LUBRIFICATION PLATE PIN
69	130.05.103	LUBRIFICATION PLUG DISC
69	130.05.125	LUBRIFICATION PLUG DISC
70	130.05.104	LUBRIFICATION PLUG PIN
80a	130.05.267	BOBBIN CASE HOLDER

This document and the information enclosed are intellectual property of CM CERLIANI and may not be rebroadcast in any form without express permission from CM CERLIANI. If you want to use any of these information for any use other than personal use, please contact CM CERLIANI to get the permission.