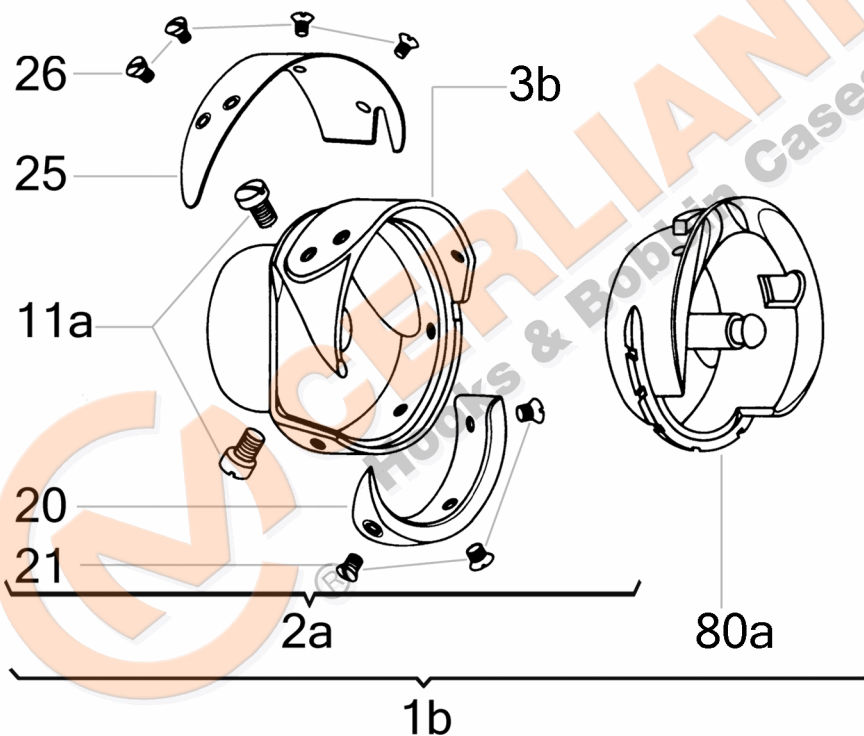


EXPLODED VIEW

KH 130.05.050



Attention: The graphic representation shows only the typology of the components of the article and does not correspond to the real part.

No	CERLIANI ARTICLE	DESCRIPTION
1b	130.05.050	HOOK WITHOUT BOBBIN CASE
2a	130.05.098	HOOK WITHOUT BOBBINCASE HOLDER
3b	130.05.036	HOOK BODY
11a	130.05.040	HOOK FASTENING SCREW
20	130.05.037	HOOK GIB
21	130.05.038	HOOK GIB FASTENING SCREW
25	130.01.090	THREAD GUARD
26	130.05.039	THREAD GUARD FASTENING SCREW
60b	130.05.101	LUBRICATION FELT IN OIL CHANN.
68	130.05.123	CENTRAL HOLE PLUG DISC
68	130.05.174	CENTRAL HOLE PLUG DISC
69	130.05.103	LUBRIFICATION PLUG DISC
70	130.05.104	LUBRIFICATION PLUG PIN
80a	130.05.052	BOBBIN CASE HOLDER

This document and the information enclosed are intellectual property of CM CERLIANI and may not be rebroadcast in any form without express permission from CM CERLIANI. If you want to use any of these information for any use other than personal use, please contact CM CERLIANI to get the permission.