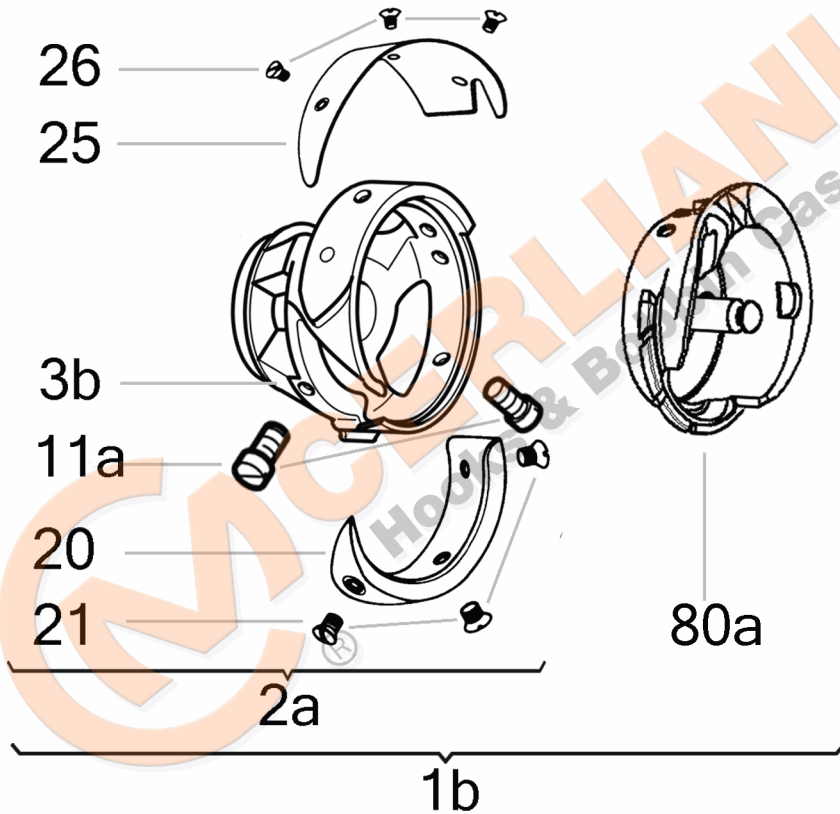


EXPLODED VIEW

KH 130.04.094



Attention: The graphic representation shows only the typology of the components of the article and does not correspond to the real part.

No	CERLIANI ARTICLE	DESCRIPTION
1b	130.04.094	HOOK WITHOUT BOBBIN CASE
2a	130.04.095	HOOK WITHOUT BOBBINCASE HOLDER
3b	130.04.026	HOOK BODY
11a	130.04.085	HOOK FASTENING SCREW
20	130.04.062	HOOK GIB
21	130.04.084	HOOK GIB FASTENING SCREW
25	130.04.096	THREAD GUARD
26	130.04.084	THREAD GUARD FASTENING SCREW
60b	130.04.028	LUBRICATION FELT IN OIL CHANN.
70	130.04.027	LUBRIFICATION PLUG PIN
80a	130.03.010	BOBBIN CASE HOLDER

This document and the information enclosed are intellectual property of CM CERLIANI and may not be rebroadcast in any form without express permission from CM CERLIANI. If you want to use any of these information for any use other than personal use, please contact CM CERLIANI to get the permission.