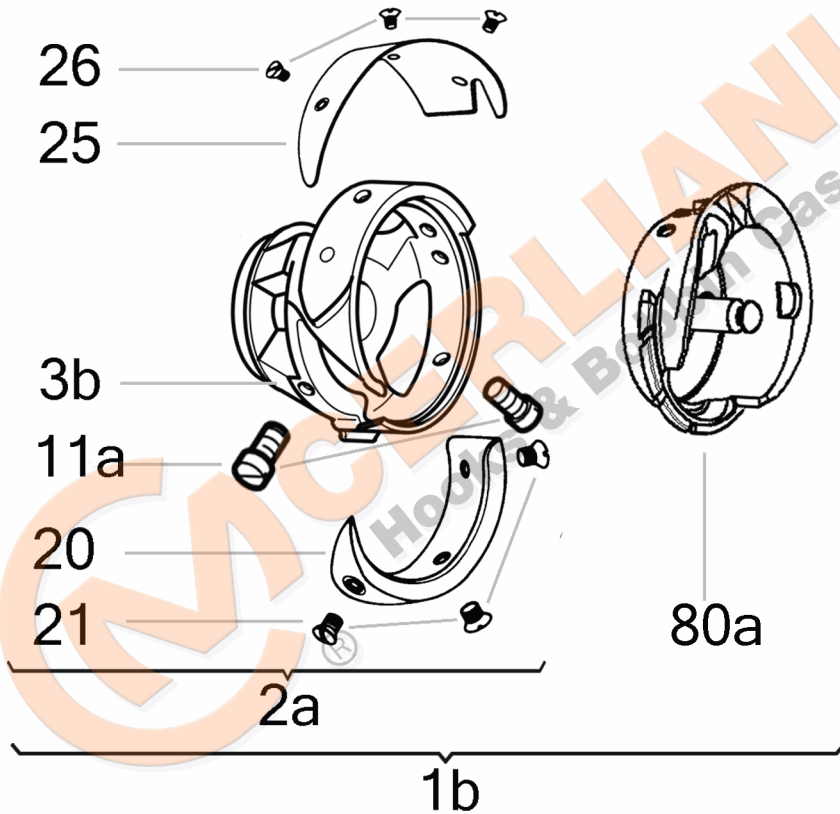


EXPLODED VIEW

KH 130.04.055



Attention: The graphic representation shows only the typology of the components of the article and does not correspond to the real part.

| No | CERLIANI ARTICLE | DESCRIPTION |
|-----|------------------|--------------------------------|
| 1b | 130.04.055 | HOOK WITHOUT BOBBIN CASE |
| 2a | 130.04.068 | HOOK WITHOUT BOBBINCASE HOLDER |
| 3b | 130.04.070 | HOOK BODY |
| 11b | 130.05.335 | HOOK FASTENING GRUB SCREW |
| 20 | 130.04.074 | HOOK GIB |
| 21 | 130.03.003 | HOOK GIB FASTENING SCREW |
| 25 | 130.03.042 | THREAD GUARD |
| 26 | 130.03.003 | THREAD GUARD FASTENING SCREW |
| 60b | 130.04.028 | LUBRICATION FELT IN OIL CHANN. |
| 60b | 130.05.101 | LUBRICATION FELT IN OIL CHANN. |
| 69 | 130.04.022 | LUBRIFICATION PLUG DISC |
| 69 | 130.05.103 | LUBRIFICATION PLUG DISC |
| 70 | 130.05.104 | LUBRIFICATION PLUG PIN |
| 80a | 130.04.034 | BOBBIN CASE HOLDER |

This document and the information enclosed are intellectual property of CM CERLIANI and may not be rebroadcast in any form without express permission from CM CERLIANI. If you want to use any of these information for any use other than personal use, please contact CM CERLIANI to get the permission.