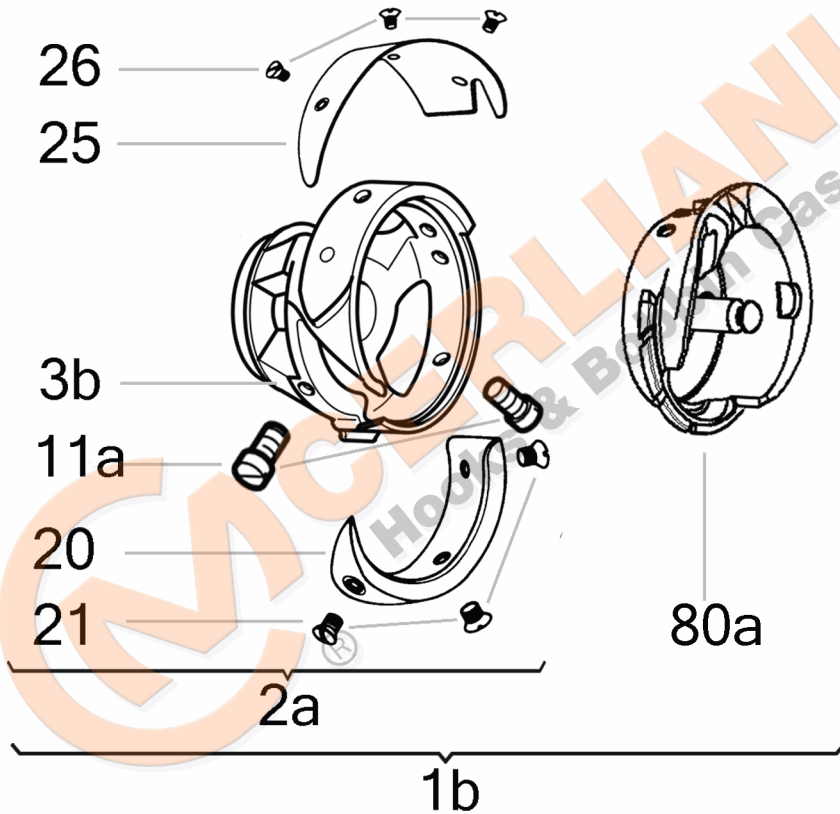


EXPLODED VIEW

KH 130.03.038



No	CERLIANI ARTICLE	DESCRIPTION
1b	130.03.038	HOOK WITHOUT BOBBIN CASE
2a	130.03.039	HOOK WITHOUT BOBBINCASE HOLDER
3b	130.03.001	HOOK BODY
11a	130.03.006	HOOK FASTENING SCREW
11b	130.03.012	HOOK FASTENING GRUB SCREW
20	130.03.018	HOOK GIB
21	130.03.003	HOOK GIB FASTENING SCREW
25	130.04.009	THREAD GUARD
26	130.03.003	THREAD GUARD FASTENING SCREW
80a	130.03.045	BOBBIN CASE HOLDER

Attention: The graphic representation shows only the typology of the components of the article and does not correspond to the real part.

This document and the information enclosed are intellectual property of CM CERLIANI and may not be rebroadcast in any form without express permission from CM CERLIANI. If you want to use any of these information for any use other than personal use, please contact CM CERLIANI to get the permission.