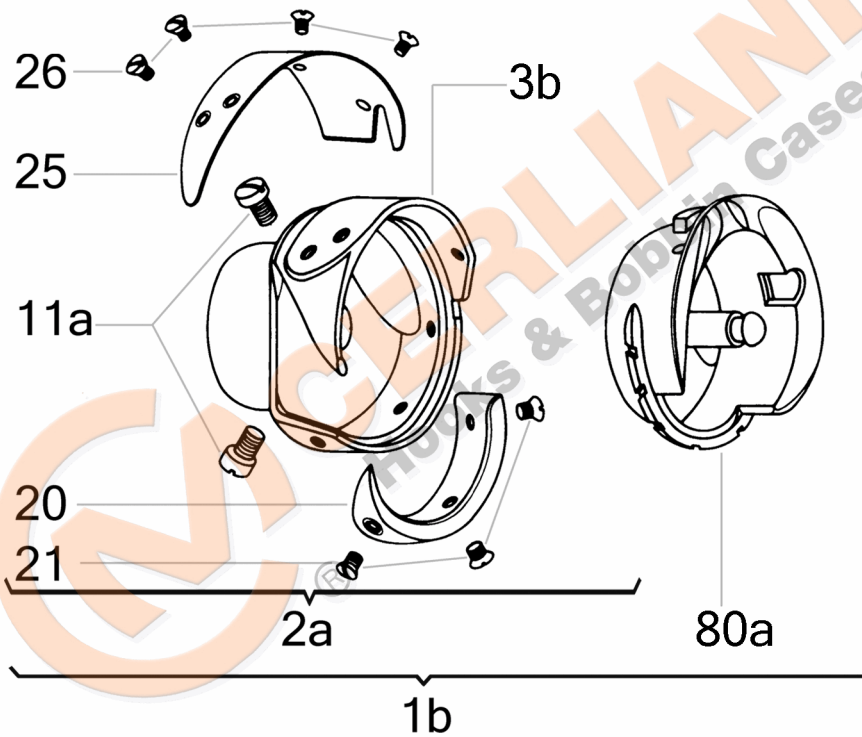


**EXPLODED VIEW**

**KH 130.01.052**



No	CERLIANI ARTICLE	DESCRIPTION
1b	130.01.052	HOOK WITHOUT BOBBIN CASE
2a	130.01.048	HOOK WITHOUT BOBBINCASE HOLDER
3b	130.01.001	HOOK BODY
11a	120.00.029	HOOK FASTENING SCREW
20	130.01.027	HOOK GIB
21	130.01.003	HOOK GIB FASTENING SCREW
25	130.01.090	THREAD GUARD
26	130.01.005	THREAD GUARD FASTENING SCREW
80a	130.01.050	BOBBIN CASE HOLDER

Attention: The graphic representation shows only the typology of the components of the article and does not correspond to the real part.

This document and the information enclosed are intellectual property of CM CERLIANI and may not be rebroadcast in any form without express permission from CM CERLIANI. If you want to use any of these information for any use other than personal use, please contact CM CERLIANI to get the permission.